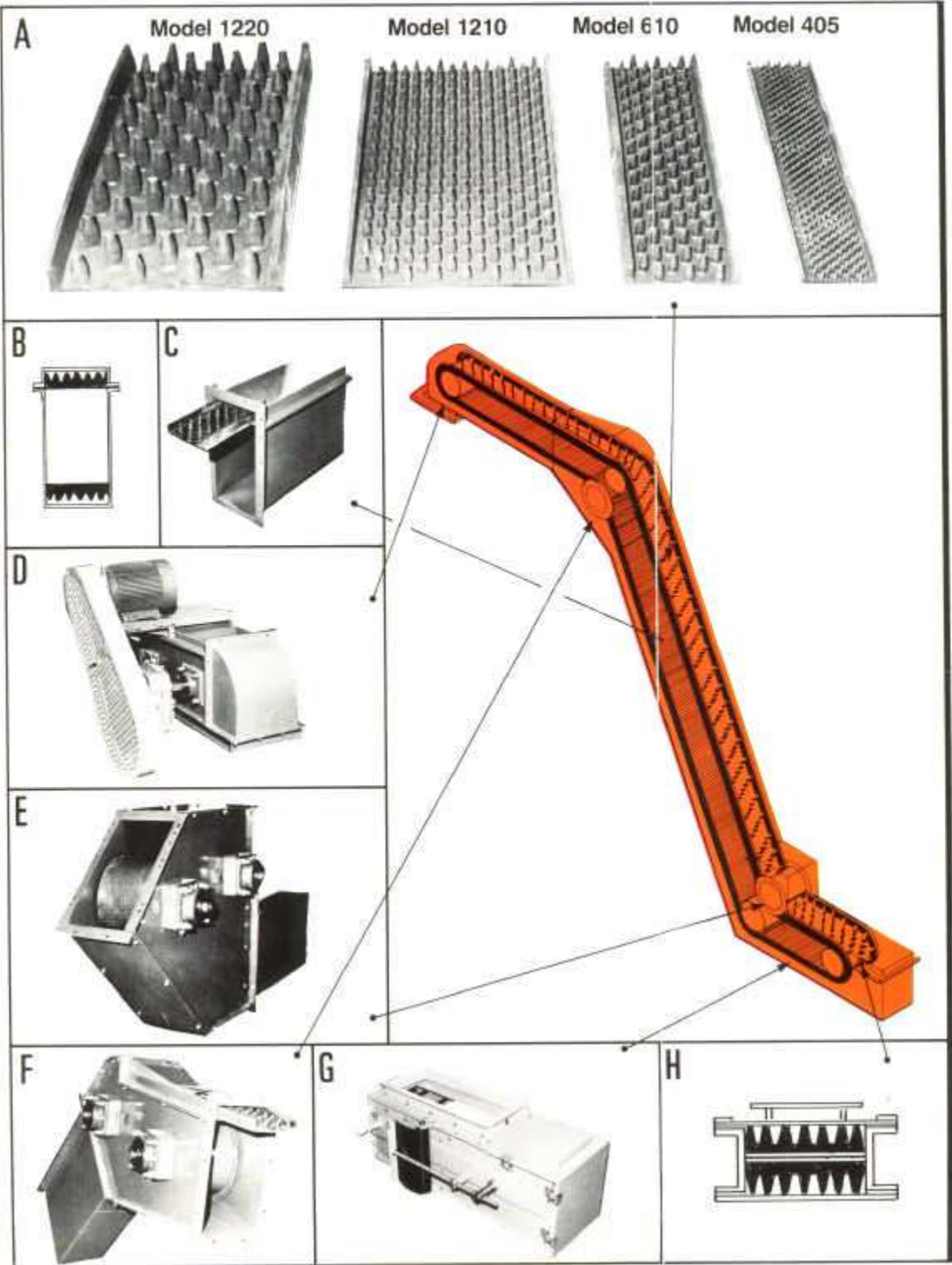


# CamBelt High Incline Enclosed Belt Conveyors

---

**On The Leading Edge  
Of High Incline  
Conveyor Technology**





# CamBelt...

## What It Is

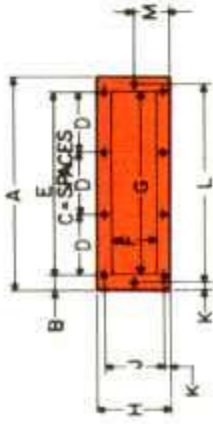
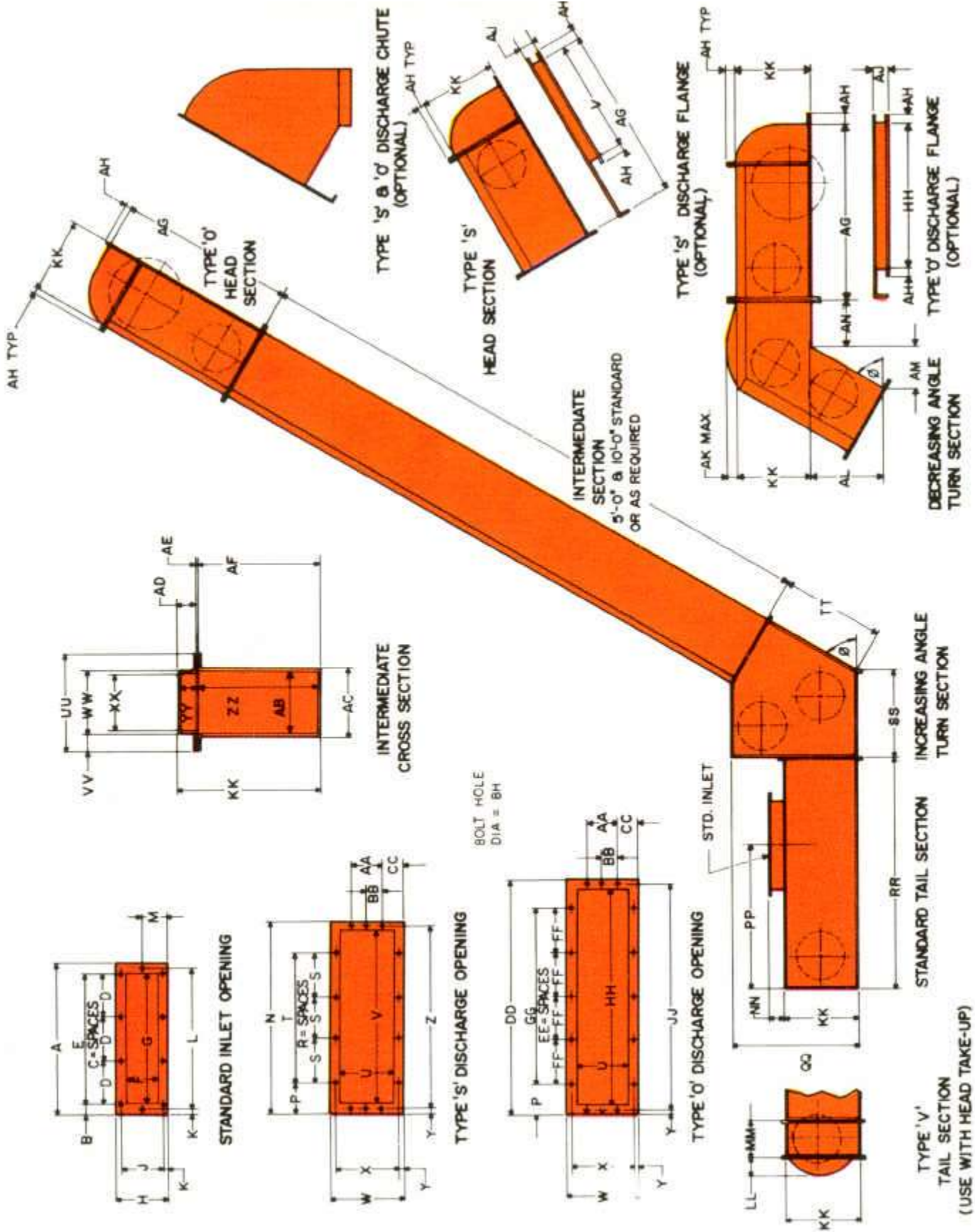
The CamBelt conveyor is a unique and versatile concept in belt conveyors - unique in that it is the only belt conveyor that can transport materials in a completely enclosed dust-tight system at any angle of incline; versatile in that a simple modular method of construction permits complete flexibility of design. By assembling various modular components, CamBelt provides a method of moving materials horizontally, on an incline, vertically, or through any required combination of planes and angles.

The CamBelt conveyor will move a wide variety of products, including pellets, granules, and very fine powders, at high capacities. The totally enclosed construction allows fine and dusty materials to be transported without contaminating your plant environment. It will elevate very fragile products with a minimum of degradation. Because of its design, it requires a minimum amount of space, and where head room is a factor the CamBelt conveyor solves many problems.

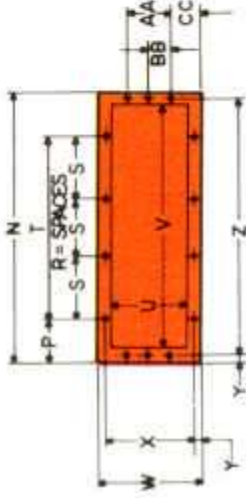
## How It Operates

The prime mover in the CamBelt conveyor is a flexible rubber belt constructed in various sizes with flanges on either side and projections called "nubs" on the surface of the belt between the flanges, and the same height as the flanges (A). This endless belt is propelled through a rectangular metal tube (B) and (C) just larger than the cross section of the belt by passing over a head pulley (O), around turn pulleys (E) and (F) (when the angle of incline is changed) and around a tail pulley (G). The rubber nubs impart the motion of the belt into the material being conveyed and move it en masse from the point of inlet to the point of discharge. By overcoming the flow rate of any given material in this manner, products as flowable as water can be conveyed and elevated at inclines from horizontal to 90°.

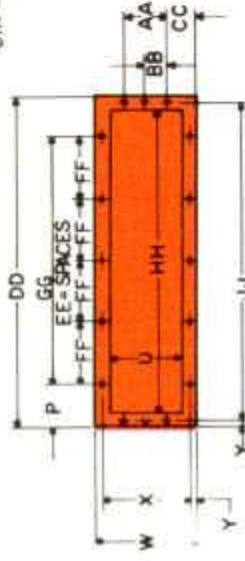
Because of the unique construction of the belt, with flanges and nubs the same height, pulleys can operate on both the top and bottom so that both increasing (E) and decreasing (F) angle turns can be made. This allows the use of many configurations including L and Z shaped units. Slimline (low profile) (H) construction also is available which requires a very minimum amount of cube to be used where this is a critical factor.



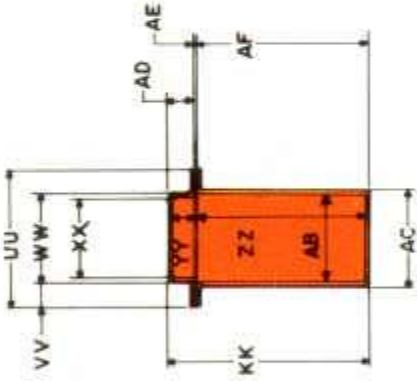
STANDARD INLET OPENING



TYPE 'S' DISCHARGE OPENING

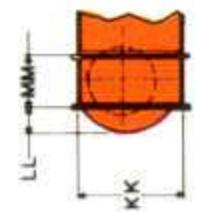


TYPE 'O' DISCHARGE OPENING

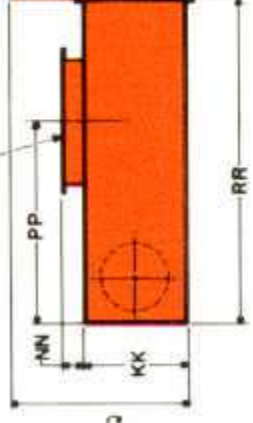


INTERMEDIATE CROSS SECTION

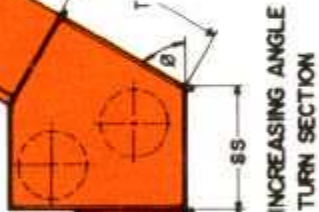
INTERMEDIATE SECTION 5'-0" & 10'-0" STANDARD OR AS REQUIRED



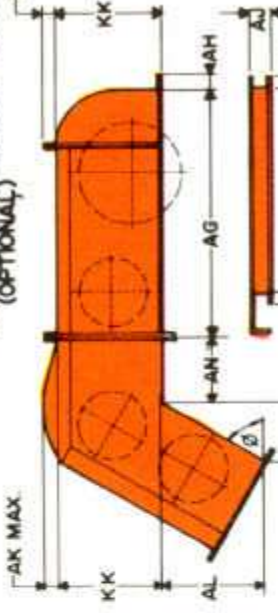
TYPE 'V' TAIL SECTION (USE WITH HEAD TAKE-UP)



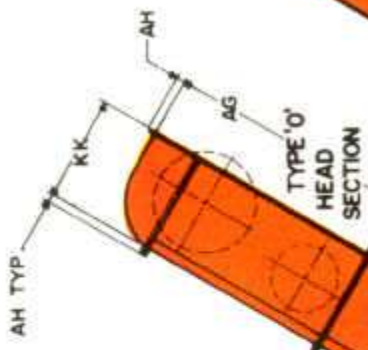
STANDARD TAIL SECTION



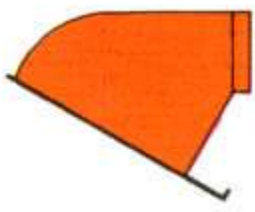
INCREASING ANGLE TURN SECTION



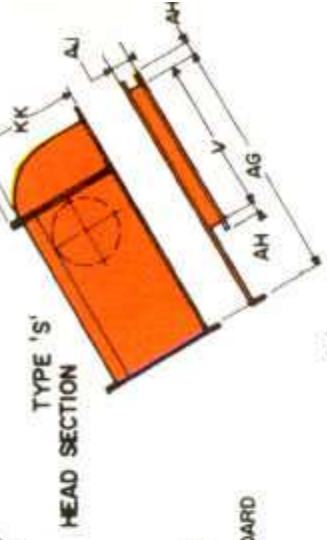
DECREASING ANGLE TURN SECTION



TYPE 'O' HEAD SECTION

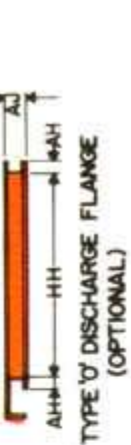


TYPE 'S' & 'O' DISCHARGE CHUTE (OPTIONAL)



TYPE 'S' HEAD SECTION

TYPE 'S' DISCHARGE FLANGE (OPTIONAL)



TYPE 'O' DISCHARGE FLANGE (OPTIONAL)

BOLT HOLE DIA = BH

### Basic Dimensions (Inches)

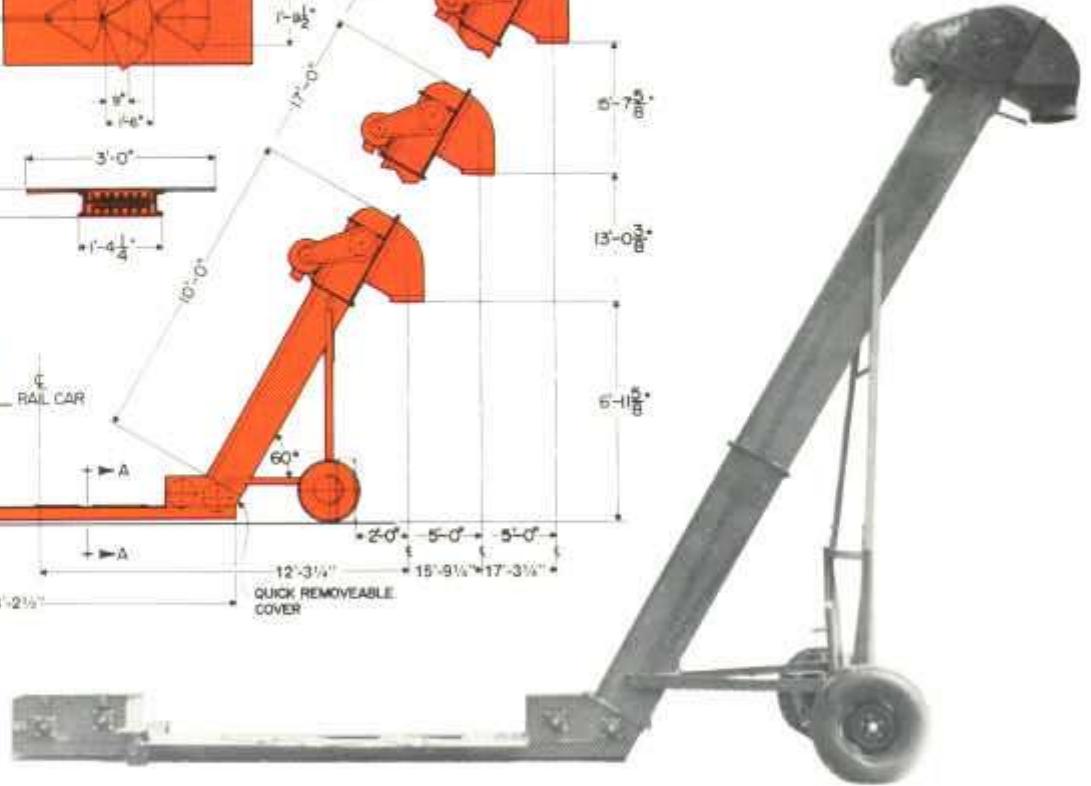
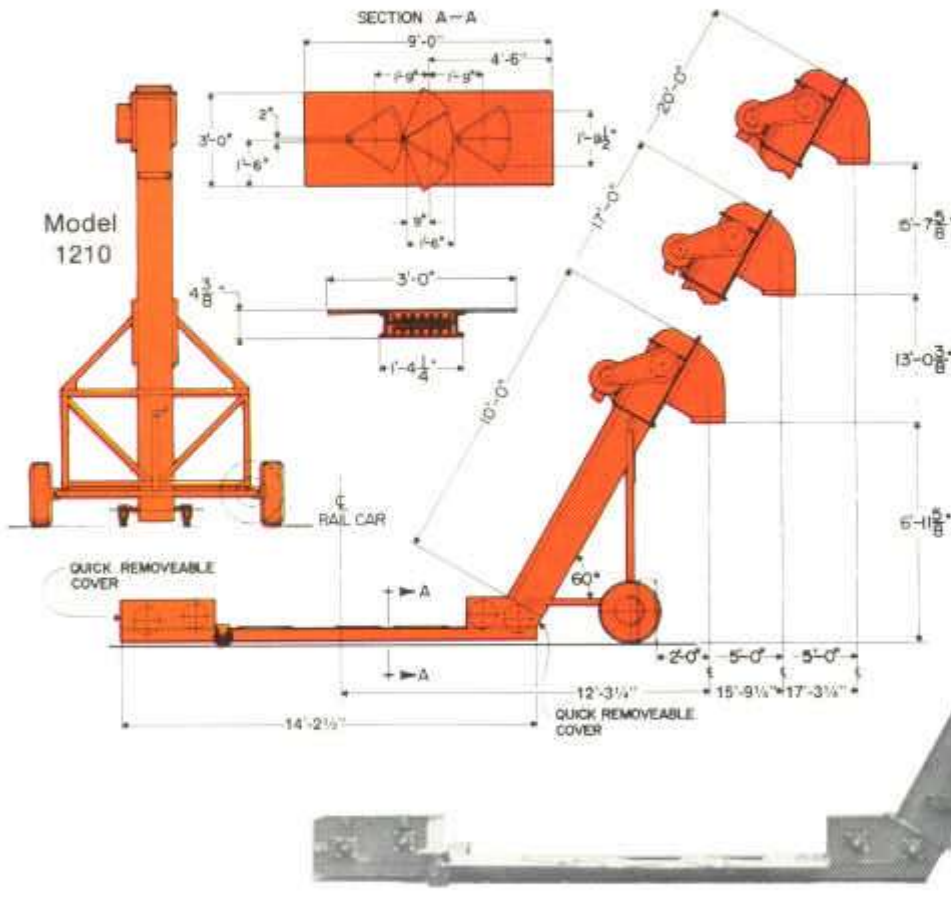
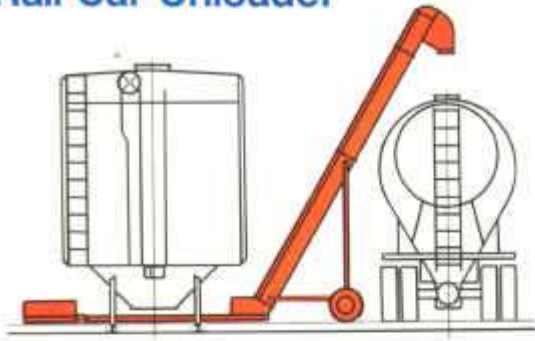
MODEL	A	B	C	D	E	F	G	H	J	K	L	M	N	P	R	S	T	U	V	W	X	Y	Z
405	15 5/8	1 13/16	3	4	12	3	14	4 5/8	3 7/8	7 3/8	14 7/8	2 1/16	20 1/8	4 1/16	2	6	12	4 3/4	18	6 7/8	6 1/8	3 3/8	19 3/8
610	20 3/4	1 7/8	3	6	18	4	18	6 3/4	5 3/4	3 3/4	19 3/4	3 3/8	26 1/2	4 1/4	3	6	18	7 1/4	24	9 3/4	8 3/4	1 1/2	25 1/2
1210	20 3/4	1 7/8	3	6	18	10	18	12 3/4	11 3/4	1 1/2	19 3/4	6 3/8	26 1/2	4 1/4	3	6	18	13 1/4	24	15 3/4	14 3/4	1 1/2	25 1/2
1220	22 3/4	1 5/8	3	6 1/2	19 1/2	10	20	12 3/4	11 3/4	1 1/2	21 3/4	6 3/8	39	4 1/2	5	6	30	14	36	17	15 1/4	5 3/8	37 3/4

MODEL	AA	BB	CC	DD	EE	FF	GG	HH	JJ	KK	LL	MM	NN	PP	QQ	RR	SS				
																	45°	60°	90°		
405	—	—	3 7/16	26 1/8	3	6	18	24	25 3/8	9 1/2	2 1/2	—	2 1/2	A/R	17	A/R	7 3/8	9 1/16	11 1/4	14 1/16	17
610	4	—	2 7/8	32 1/2	4	6	24	30	31 1/2	15 3/8	4	7	3	2'-6"	27	4'-0"	11 5/27	14 5/32	17 1/16	21 1/2	27
1210	10	5	2 7/8	32 1/2	4	6	24	30	31 1/2	15 3/8	4	7	3	2'-6"	27	4'-0"	11 5/27	14 5/32	17 1/16	21 1/2	27
1220	10	5	3 1/2	57	8	6	48	54	55 3/4	27 7/8	10	9	4	3'-6"	50	5'-0"	22 19/32	28 3/32	34 1/4	40 3/32	50

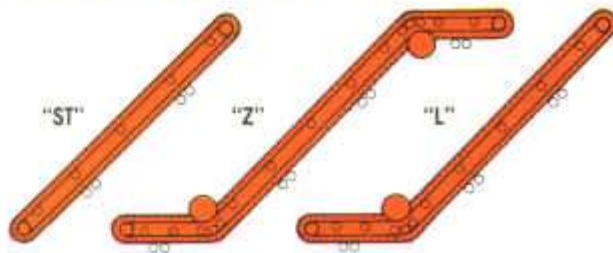
MODEL	TT			UU	VV	WW	XX	YY	ZZ	AB	AC	AD	AE	AF	AG	AH	AJ	BH
	45°	60°	90°															
405	15 3/4	13 15/32	13 1/2	6 13/16	1 1/8	4 9/16	4 3/8	13 1/16	8 1/2	4 5/8	4 13/16	1 1/8	14 GA	8 1/16	A/R	1	—	5 5/16
610	25 5/27	21 15/16	21 13/16	9 3/4	1 1/2	6 3/4	6 1/2	1 1/2	13 1/4	7	7 1/4	1 5/8	1 1/8	13 3/8	3'-0"	1 1/4	2 1/2	7 1/8
1210	25 5/27	21 15/16	21 13/16	15 3/4	1 1/2	12 3/4	12 1/2	1 1/2	13 1/4	13	13 1/4	1 1/8	1 1/8	13 3/8	3'-0"	1 1/4	2 1/2	7 1/8
1220	49 1/32	41 15/32	40 31/32	17	2	13	12 3/4	2 3/4	24 3/4	13 3/4	14	2 7/8	1 1/8	24 7/8	5'-0"	1 1/2	3	7 1/8

MODEL	AK			AL			AM			AN												
	45°	60°	90°	45°	60°	90°	45°	60°	90°	45°	60°	90°										
610	2	2 1/4	2 1/2	10	13 1/16	14 5/16	14	10 1/2	17 1/16	13 1/16	8 1/2	3 3/4	—	—	—	12	11	10	9	8	8	8
1210	2	2 1/4	2 1/2	10	13 1/16	14 5/16	14	10 1/2	17 1/16	13 1/16	8 1/2	3 3/4	—	—	—	12	11	10	9	8	8	8
1220	3 1/2	4	5	19 1/2	25 15/32	28 1/16	26 1/16	22	33 3/32	25 3/32	16 1/2	7	—	—	—	24	22	20	18	16	16	16

## Low Profile Portable Rail Car Unloader



## Typical CamBelt Conveyor Configurations



## Typical CamBelt Conveyor Installations



- ▲ Model 1210 L Cambelt Conveyor
- ◀ Sand transfer from silo to truck
- ▼ Soda Ash truck to rail transfer



---

**Typical  
Permanent  
Rail Car Underloader**



---

**A Typical  
Load in-Load out  
Installation**



Your Authorized Cambelt Representative



2420 W. 1100 S., Salt Lake City, Utah 84104  
Phone (801) 972-5511 / Fax (801) 972-5522